

Legend

96262619 LEGEND 36L50 RC 730 CL2 T60

Legend

A modern heritage post top LED lantern with closed optic. Electronic, Class II electrical, IP65, IK08. Body: die-cast aluminium powder coated grey 900 textured finish (close to RAL 7043). Enclosure: flat toughened glass. Surge protection: 10kV single pulse common mode and 8kV multipulse common mode and 6kV multipulse differential mode. If permanent DALI system is connected, 6kV multipulse common and differential mode. Complete with 3000K LED.

Dimensions: 446 x 446 x 999 mm

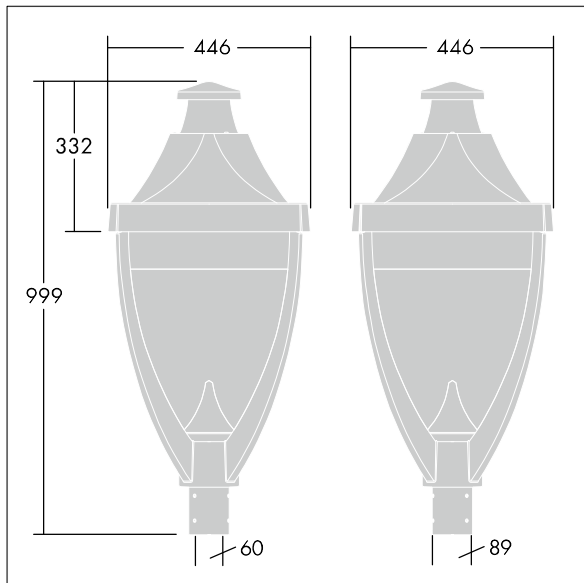
Luminaire input power: 55 W

Weight: 17.5 kg

Scx: 0.14 m²



TLG_LGND_F_CLS.jpg



TLG_LGND_M_MTP.wmf

This product contains a light source of energy efficiency class D.

Legend

96262619 LEGEND 36L50 RC 730 CL2 T60

THORN