

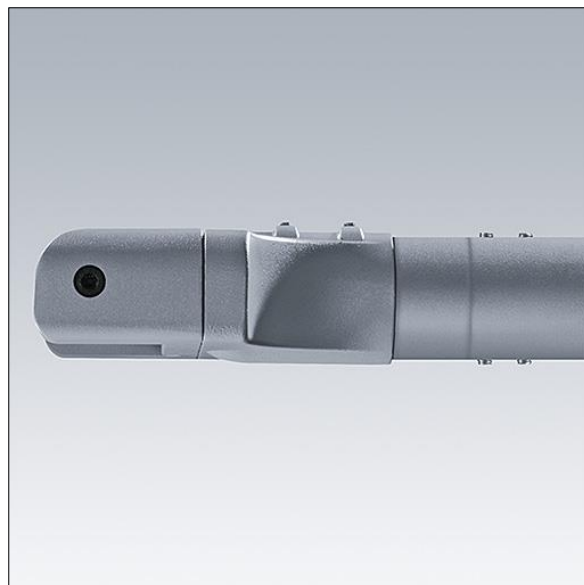
Olsys Street

96262308 OLSYS2 MLE 47MA

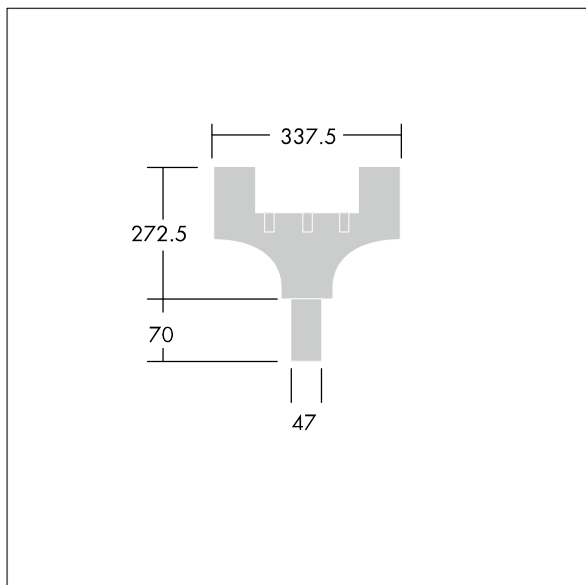
THORN

Olsys Street

Male / male adaptor for curved pole or lateral brackets Ø60mm (external) to ensure visual continuity between bracket and fitting. Complete with Olsys 2 luminaire adaptor. In aluminium, powder coated RAL9006.



TLG_OSYS_F_1CURV2.jpg



TLG_OSYS_M_96262308MLE47MA.wmf

All values marked with an * are rated values. Unless stated otherwise, the values apply to an ambient temperature of 25°C.

Thorn Lighting is constantly developing and improving its products. The right is reserved to change specifications without prior notification or public announcement.
© Thorn Lighting