

# Olsys Street

96262301 OLSYS1 BRx2 1000MM MTP

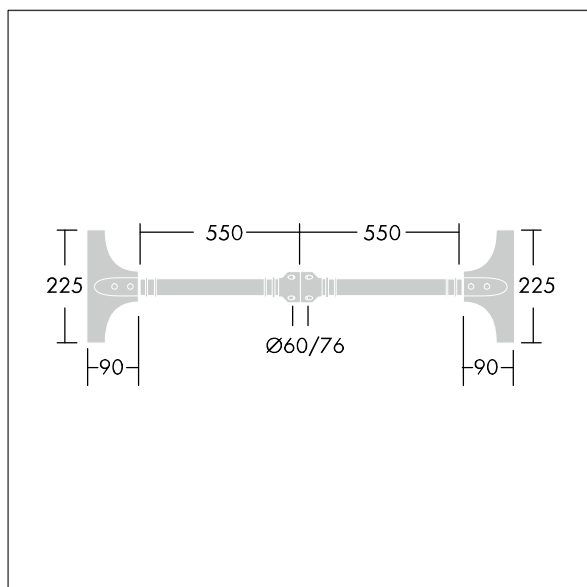
THORN

## Olsys Street

Twin bracket for Olsys 1 luminaire(s). Complete with luminaire adaptor(s). In aluminium, powder coated RAL9006.



TLG\_OSYS\_F\_2DBLEBRAPDB.jpg



TLG\_OSYS\_M\_96262301BRAX2100MMPT.wmf

All values marked with an \* are rated values. Unless stated otherwise, the values apply to an ambient temperature of 25°C.

Thorn Lighting is constantly developing and improving its products. The right is reserved to change specifications without prior notification or public announcement.  
© Thorn Lighting