

## Areaflood Pro

96644802 AFP S 36L50-740 A5 CLO BS 3550 CL1 GY

### Areaflood Pro

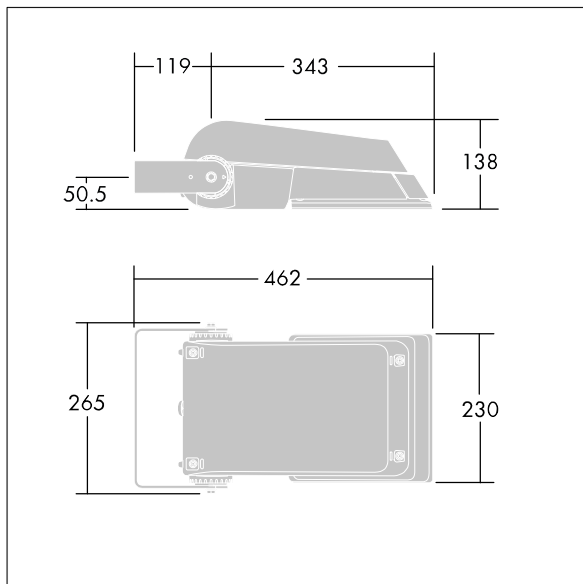
A compact, lightweight, general purpose LED area floodlight. With small body, LED converter configured for power reduction, effective 3 hours before and 5 hours after a calculated midnight, driving 36 LEDs at 500mA with asymmetrical 50° light distribution. IP66, IK08, Class I electrical. Body: die-cast aluminium (EN AC-44300), Light grey 150 sanded textured (close to RAL9006).. Enclosure: 4mm thick toughened glass. Reversible mounting stirrup supplied, Driver programmed for constant light output. Complete with 4000K LED.

Not compatible with UrbaSens systems.

Dimensions: 462 x 265 x 139 mm  
 Luminaire input power: 55 W  
 Luminaire luminous flux: 8495 lm  
 Luminaire efficacy: 154 lm/W  
 weight: 6.22 kg  
 Scx: 0.05 m<sup>2</sup>



TLG\_AFLP\_F\_SMALLPDB.jpg



TLG\_AFLP\_M\_SML.wmf

This product contains light sources of energy efficiency classes D, E.

# Areaflood Pro

96644802 AFP S 36L50-740 A5 CLO BS 3550 CL1 GY

THORN