

Areaflood Pro

96644869 AFP S 36L70-740 EWR LRT CL2 GY

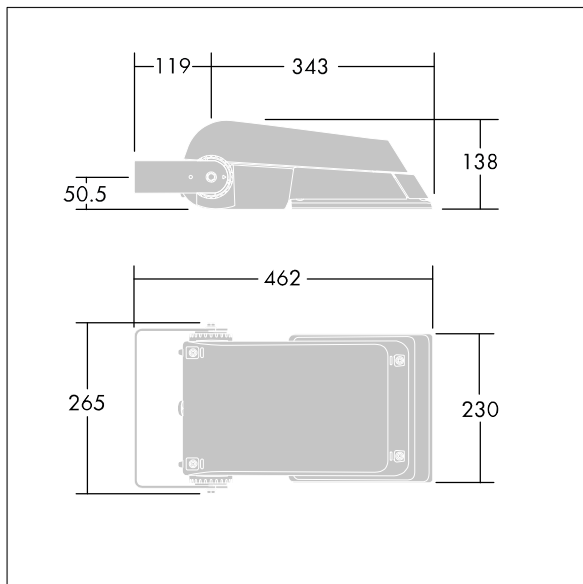
Areaflood Pro

A compact, lightweight, general purpose LED area floodlight. With small body. LED converter configured for power reduction, controlled by an additional switched phase cable. ON = 100%, OFF = 50%, driving 36 LEDs at 700mA with Extra Wide Road light distribution. IP66, IK08, Class II electrical. Body: die-cast aluminium (EN AC-44300), Light grey 150 sanded textured (close to RAL9006).. Enclosure: 4mm thick toughened glass. Reversible mounting stirrup supplied, Complete with 4000K LED.

Dimensions: 462 x 265 x 139 mm
 Luminaire input power: 77 W
 Luminaire luminous flux: 11488 lm
 Luminaire efficacy: 149 lm/W
 weight: 6.29 kg
 Scx: 0.05 m²



TLG_AFLP_F_SMALLPDB.jpg



TLG_AFLP_M_SML.wmf

This product contains light sources of energy efficiency class E.