

Urba Bollard

96275590 URBA BOLLARD 4L105 740 CL2

THORN

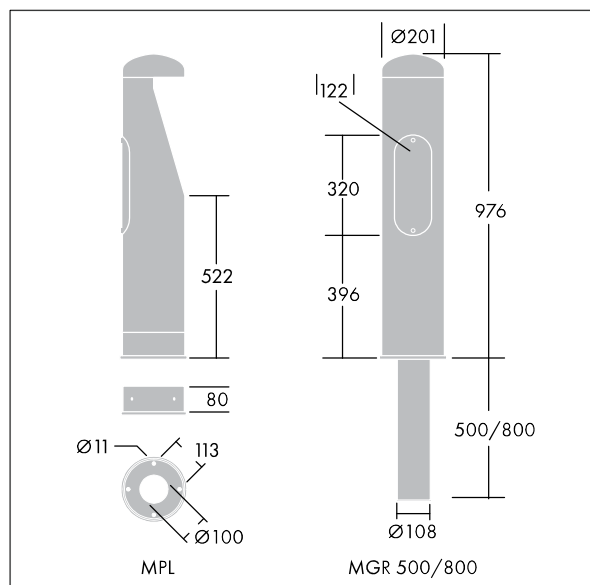
Urba Bollard

A decorative LED bollard. Electronic, fixed output control gear. Class II electrical, IP65, IK10. Body and bezel: low carbon steel, electro-plated zinc, finished black (RAL 9005). Diffuser: clear 5mm polycarbonate plate. Flange or root mounted using bases to be ordered separately. Complete with 4000K LED.

Dimensions: Ø200 x 970 mm
Luminaire input power: 15 W
Luminaire luminous flux: 1107 lm
Luminaire efficacy: 74 lm/W
Weight: 12.8 kg



TLG_TE1_A1_F_PDB.jpg



TLG_TE1_A1_M_LD1.wmf

This product contains a light source of energy efficiency class D.

All values marked with an * are rated values. Thorn uses tried and tested components from leading suppliers, however there may be isolated instances of technology-related failures of individual LEDs during the rated product lifetime. International standards set the tolerance in initial flux and connected load at $\pm 10\%$. Unless stated otherwise, the values apply to an ambient temperature of 25°C.

Thorn Lighting is constantly developing and improving its products. The right is reserved to change specifications without prior notification or public announcement.
© Thorn Lighting