

Aquaforce Pro

96631031 AQFPRO L LED4300-840 PC WB MWS

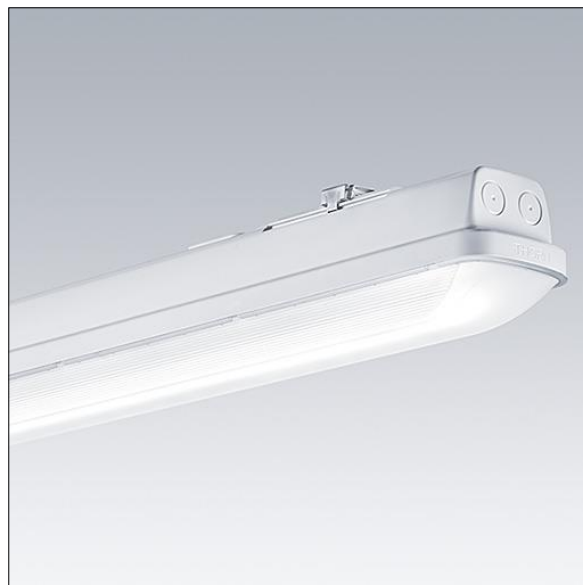
THORN

Aquaforce Pro

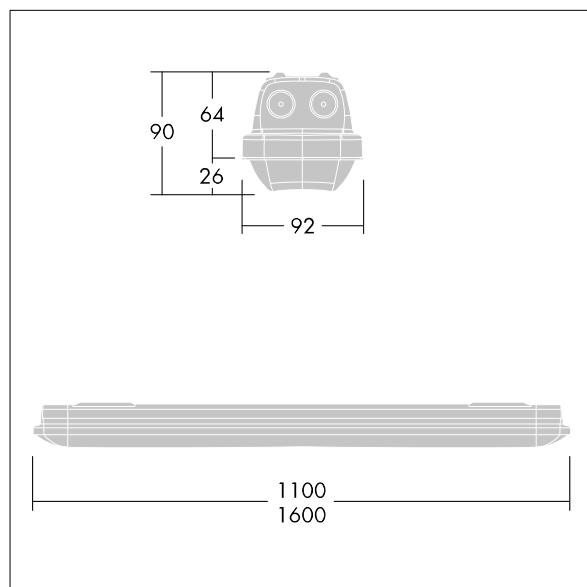
An IP66, dust and moisture resistant LED luminaire.
Electronic, Luminaire with motion detector to switch on/off.
With wide beam distribution. Class I electrical. Canopy:
light grey polycarbonate. Diffuser: high transmission opal
polycarbonate with refraction prisms. Patented snap-on
mechanism EasyClick for clipless mounting of diffuser. For
surface or suspended mounting. Quick-fix brackets
supplied for surface mounting. Suitable for ceiling or wall
(both vertically and horizontally). Approved for indoor use
or in canopied outdoor areas (see installation instructions).
Mounting kits for conduit, chain suspension and catenary
suspension are available as accessories. Suitable for
through wiring with H05VV or NYM cable (rated 10A).
Integral presence detector for on/off control. ambient
temperature: -20°C to +45°C. Complete with 4000K LED..

Note: please contact your consultant if you are planning to
use the luminaire in environments with chemical pollutants,
high or condensing humidity and major variations in
temperature.

Dimensions: 1600 x 92 x 90 mm
Luminaire input power: 28.7 W
Luminaire luminous flux: 4350 lm
Luminaire efficacy: 152 lm/W
Weight: 2.14 kg



TLG_AQUP_F_PDB_1600WD.jpg



TLG_AQUP_M_LD1.wmf

All values marked with an * are rated values. Thorn uses tried and tested components from leading suppliers, however there may be isolated instances of technology-related failures of individual LEDs during the rated product lifetime. International standards set the tolerance in initial flux and connected load at $\pm 10\%$. Unless stated otherwise, the values apply to an ambient temperature of 25°C.

Thorn Lighting is constantly developing and improving its products. The right is reserved to change specifications without prior notification or public announcement.
© Thorn Lighting

Aquaforce Pro

96631031 AQFPRO L LED4300-840 PC WB MWS

THORN