

PopPack

96631563 POPPACK LED 9000-840 HF E3 L1500

THORN

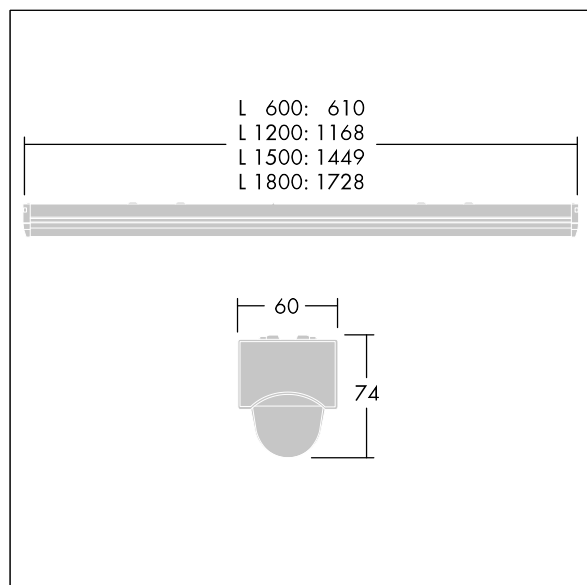
PopPack

Batten LED luminaire. Electronic, fixed output control gear with 3 hour, manual test, emergency lighting circuit. Body: coated, formed steel, white (RAL9016). End caps: injection moulded polycarbonate, white. Diffuser: textured opal acrylic. Electrical connection via (3 + 3) x 2 x 2.5mm² terminal block. Complete with 4000K LED

Dimensions: 1449 x 60 x 74 mm
Luminaire input power: 63.6 W
Luminaire luminous flux: 9100 lm
Luminaire efficacy: 143 lm/W
Weight: 2.3 kg



TLG_POPL_F_PDB_EMPTY.jpg



TLG_POPL_M_LD1.wmf

This product contains light sources of energy efficiency class D.

All values marked with an * are rated values. Thorn uses tried and tested components from leading suppliers, however there may be isolated instances of technology-related failures of individual LEDs during the rated product lifetime. International standards set the tolerance in initial flux and connected load at $\pm 10\%$. Unless stated otherwise, the values apply to an ambient temperature of 25°C.

Thorn Lighting is constantly developing and improving its products. The right is reserved to change specifications without prior notification or public announcement.
© Thorn Lighting