

## Contrast

**96633455 CONT3 36L105-830 MB HFX 6K ANT**

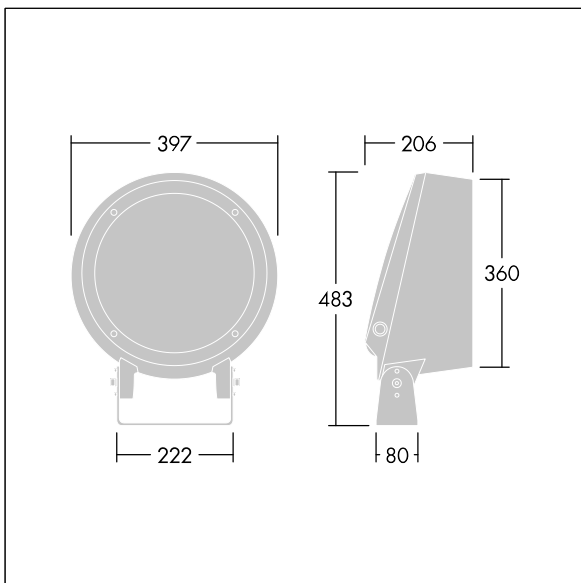
### Contrast

A large architectural Bracket mounted LED floodlight with 36 LEDs driven at 1050mA and a medium beam distribution. LED driver, DALI-2 dimmable. Class II electrical, IP66, IK08. Body: die-cast, powder coated, textured anthracite (close to RAL7043). Compatible with coastal environments. Glass: tempered, 5mm thick. Gasket: EPDM. Screws: geomet. Equipped with 6kV surge protection device. Complete with 3000K LED

Dimensions: Ø397 x 206 mm  
 Luminaire input power: 117 W  
 Luminaire luminous flux: 10437 lm  
 Luminaire efficacy: 89 lm/W  
 Weight: 13.1 kg



TLG\_CON3\_F\_M\_36L.jpg



TLG\_CONL\_M\_36-52L.wmf

This product contains a light source of energy efficiency class D.