

## Contrast

96633434 CONT3 4L50-830 NB NG IO ANT

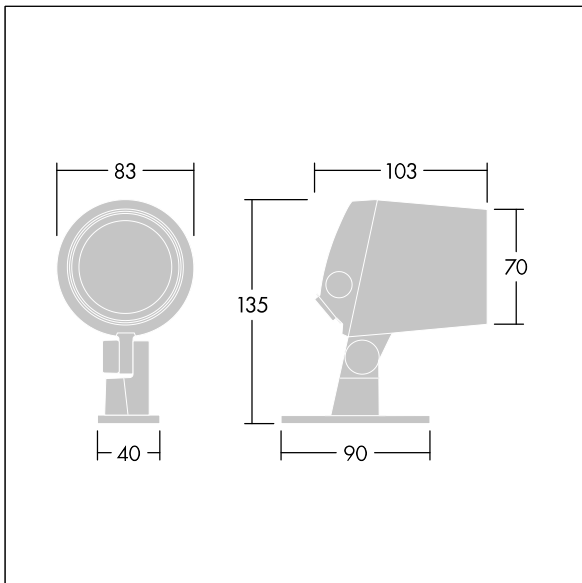
### Contrast

A small architectural Bracket mounted LED floodlight with 4 LEDs driven at 500mA and a narrow beam distribution. . . Pre-wired with IP66 connector, gear box to be ordered separately. Class II electrical, IP66, IK08. Body: die-cast, powder coated, textured anthracite (close to RAL7043). Compatible with coastal environments. Glass: tempered, 5mm thick. Gasket: EPDM. Screws: geomet. Complete with 3000K LED

Dimensions: Ø83 x 103 mm  
 Luminaire input power: 8 W  
 Luminaire luminous flux: 466 lm  
 Luminaire efficacy: 58 lm/W  
 Weight: 1.02 kg



TLG\_CON3\_F\_XS.jpg



TLG\_CONL\_M\_4L.wmf

This product contains a light source of energy efficiency class F.