

Contrast

96633442 CONT3 4L50-822-40 8X32 NG IO ANT

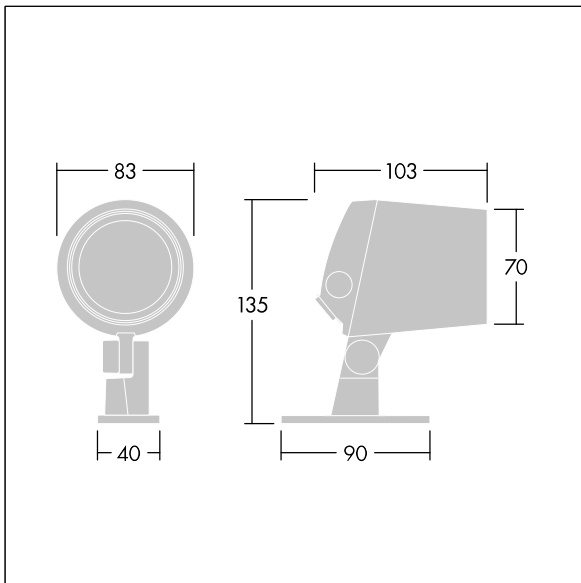
Contrast

A small architectural Bracket mounted LED floodlight with 4 LEDs driven at 500mA and a 8 x 32° beam distribution. . . Pre-wired with IP66 connector, gear box to be ordered separately. Class II electrical, IP66, IK08. Body: die-cast, powder coated, textured anthracite (close to RAL7043). Compatible with coastal environments. Glass: tempered, 5mm thick. Gasket: EPDM. Screws: geomet. Complete with 2200-4000K balanced white LEDs

Dimensions: Ø83 x 103 mm
 Luminaire input power: 7 W
 Luminaire luminous flux: 400 lm
 Luminaire efficacy: 57 lm/W
 Weight: 1.04 kg



TLG_CON3_F_XS.jpg



TLG_CONL_M_4L.wmf

This product contains a light source of energy efficiency class F.