

Olsys Area

96633540 OLSYS1 12L70-740 CL1 AREA A/S

THORN

Olsys Area

An LED floodlight with asymmetric distribution for area lighting applications. Electronic, fixed output control gear. Class I electrical, IP66, IK08. Body: die-cast aluminium (AS9U), powder coated silver-grey (RAL 9006). Enclosure: clear polycarbonate. Optics: polycarbonate. Supplied in one box, ready to install. Mounting attachments to be ordered separately. Complete with 4000K LED

ambient temperature: -30°C to +50°C

Dimensions: 330 x 225 x 59 mm

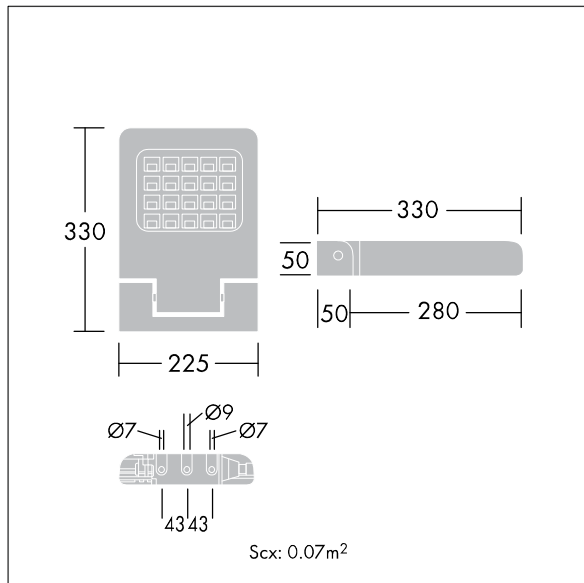
Luminaire input power: 28 W

Weight: 2.85 kg

Scx: 0.07 m²



TLG_OSYS_F_1ASPDB.jpg



TLG_OSYS_M_AREA1.wmf

This product contains a light source of energy efficiency class C.

All values marked with an * are rated values. Thorn uses tried and tested components from leading suppliers, however there may be isolated instances of technology-related failures of individual LEDs during the rated product lifetime. International standards set the tolerance in initial flux and connected load at $\pm 10\%$. Unless stated otherwise, the values apply to an ambient temperature of 25°C.

Thorn Lighting is constantly developing and improving its products. The right is reserved to change specifications without prior notification or public announcement.
© Thorn Lighting