

## Olsys Area

96633544 OLSYS1 12L70 730 CL1 AREA A/S

### Olsys Area

An LED floodlight with asymmetric distribution for area lighting applications. Electronic, fixed output control gear. Class I electrical, IP66, IK08. Body: die-cast aluminium (AS9U), powder coated silver-grey (RAL 9006). Enclosure: clear polycarbonate. Optics: polycarbonate. Supplied in one box, ready to install. Mounting attachments to be ordered separately. Complete with 3000K LED

ambient temperature: -30°C to +50°C

Dimensions: 330 x 225 x 59 mm

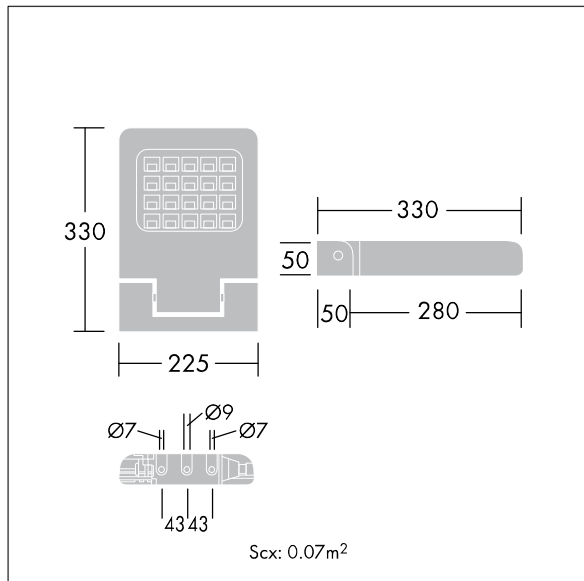
Luminaire input power: 28 W

Weight: 2.85 kg

Scx: 0.07 m<sup>2</sup>



TLG\_OSYS\_F\_1ASPDB.jpg



TLG\_OSYS\_M\_AREA1.wmf

This product contains a light source of energy efficiency class D.

**Olsys Area**

**96633544 OLSYS1 12L70 730 CL1 AREA A/S**

**THORN**