

## Contrast

96633689 CONT3 4L50 830 MB HF ANT

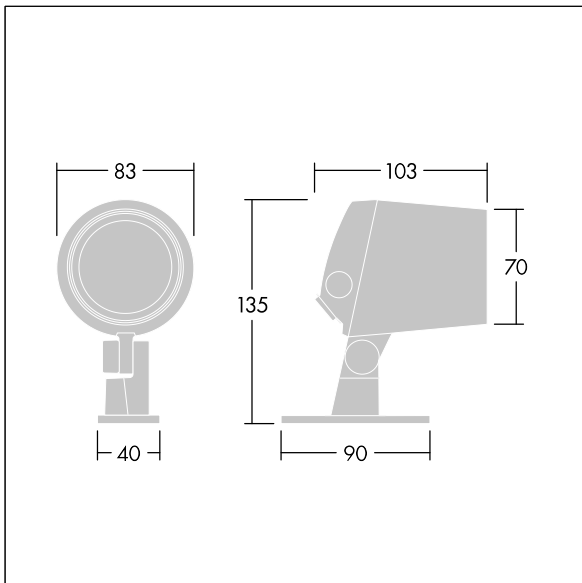
### Contrast

A small architectural Bracket mounted LED floodlight with 4 LEDs driven at 500mA and a medium beam distribution. LED driver, Fixed output. Pre-wired. Class II electrical, IP66, IK08. Body: die-cast, powder coated, textured anthracite (close to RAL7043). Compatible with coastal environments. Glass: tempered, 5mm thick. Gasket: EPDM. Screws: geomet. Complete with 3000K LED

Dimensions: Ø83 x 103 mm  
 Luminaire input power: 8 W  
 Luminaire luminous flux: 376 lm  
 Luminaire efficacy: 47 lm/W  
 Weight: 0.91 kg



TLG\_CON3\_F\_XS.jpg



TLG\_CONL\_M\_4L.wmf