

Contrast

96633690 CONT3 4L50-840 MB HF ANT

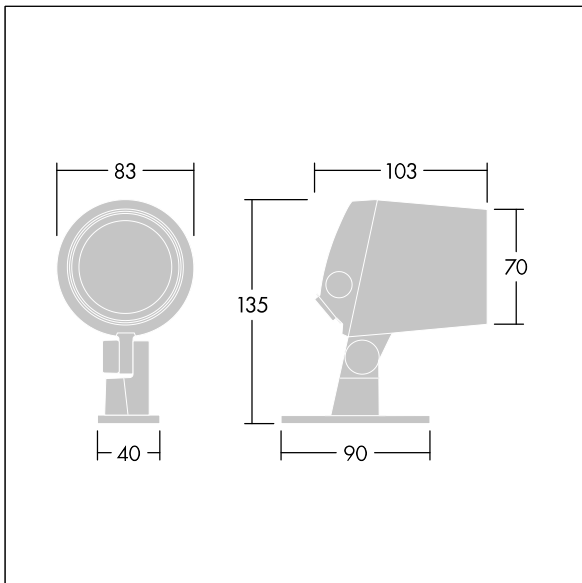
Contrast

A small architectural Bracket mounted LED floodlight with 4 LEDs driven at 500mA and a medium beam distribution. LED driver, Fixed output. Pre-wired. Class II electrical, IP66, IK08. Body: die-cast, powder coated, textured anthracite (close to RAL7043). Compatible with coastal environments. Glass: tempered, 5mm thick. Gasket: EPDM. Screws: geomet. Complete with 4000K LED

Dimensions: Ø83 x 103 mm
 Luminaire input power: 8 W
 Luminaire luminous flux: 395 lm
 Luminaire efficacy: 49 lm/W
 Weight: 0.91 kg



TLG_CON3_F_XS.jpg



TLG_CONL_M_4L.wmf

This product contains a light source of energy efficiency class F.

All values marked with an * are rated values. Thorn uses tried and tested components from leading suppliers, however there may be isolated instances of technology-related failures of individual LEDs during the rated product lifetime. International standards set the tolerance in initial flux and connected load at $\pm 10\%$. Unless stated otherwise, the values apply to an ambient temperature of 25°C.