

## Legend

**96669728 LEGEND 36L70 NR 722 BP CL2 T60 U1**

### Legend

A modern heritage post top LED lantern with closed optic. Electronic, Class II electrical, IP65, IK08. Body: die-cast aluminium powder coated grey 900 textured finish (close to RAL 7043). Enclosure: toughened glass. Surge protection: 10kV single pulse common mode and 8kV multipulse common mode and 6kV multipulse differential mode. If permanent DALI system is connected, 6kV multipulse common and differential mode. Complete with 2200K LED.

Dimensions: 446 x 446 x 999 mm

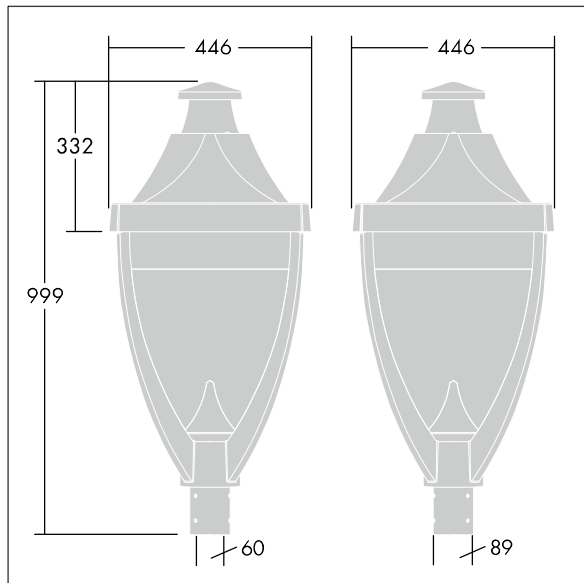
Luminaire input power: 77 W

Weight: 17.5 kg

Scx: 0.14 m<sup>2</sup>



TLG\_LGND\_F\_CLS\_U1.jpg



TLG\_LGND\_M\_MTP.wmf

This product contains a light source of energy efficiency class E.