

Voyager Square

96635071 VOY SQUARE 220 P MSW ECD WH SP1-E002-R

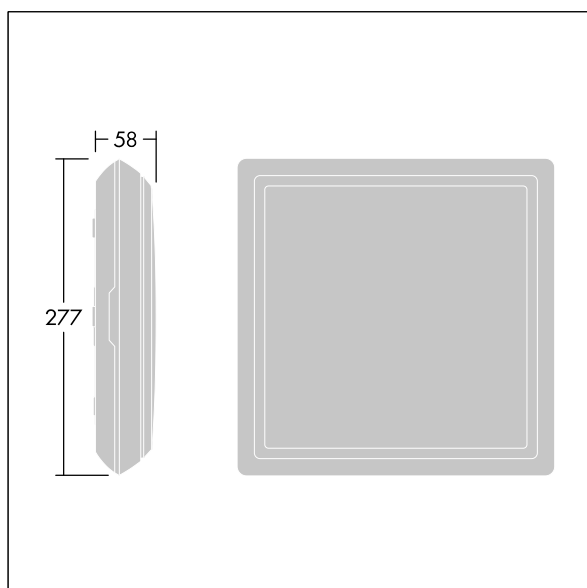
THORN

Voyager Square

A slim, square, surface mounted, LED safety sign luminaire. Luminaire for central emergency light supply, for single luminaire monitoring via DALI (DALI-2 certified), settable emergency light level. NFC interface for addressing, configuration and maintenance via PROset Pen (article: 22170290) or PROset app, addressing also alternatively possible visually or via EZ-addressing. Power supply: 220-240 Vac ($\pm 10\%$), 50/60 Hz; 176-280 Vdc. Body: injection moulded polycarbonate, white (RAL 9016). Diffuser: opal polycarbonate, with glued, printed emergency exit direction arrow (right) pictogram according to ISO 7010. Uniform backlighting of pictogram, luminance $> 500 \text{ cd/m}^2$ in the white region and 200 cd/m^2 on average in mains mode (according to DIN 4844), 2 cd/m^2 minimum in emergency mode (according to EN 1838). Recognition distance according to EN 1838: 44m. Class II electrical, IP65, Impact strength: IK10. ambient temperature: -30°C to $+35^\circ\text{C}$. Suitable for direct mounting to wall. Loop-in, loop-out is possible for cables up to 2.5 mm^2 . BESA compatible. Food certificate (to be used in areas with fully packaged food). Luminaire wired with halogen free and silicone free leads. Luminaire with D symbol (for use in environments in which the accumulation of conductive dust on the luminaire can be expected).



TLG_VYSQ_F_PDB_R_ON.jpg



TLG_VYSQ_M_LD1.wmf

This product contains a light source of energy efficiency class C.

All values marked with an * are rated values. Thorn uses tried and tested components from leading suppliers, however there may be isolated instances of technology-related failures of individual LEDs during the rated product lifetime. International standards set the tolerance in initial flux and connected load at $\pm 10\%$. Unless stated otherwise, the values apply to an ambient temperature of 25°C .

Thorn Lighting is constantly developing and improving its products. The right is reserved to change specifications without prior notification or public announcement.
© Thorn Lighting

Voyager Square

96635071 VOY SQUARE 220 P MSW ECD WH SP1-E002-R

THORN