

Voyager Square

96635074 VOY SQUARE 220 P MSW ECP WH SP1-E002-R

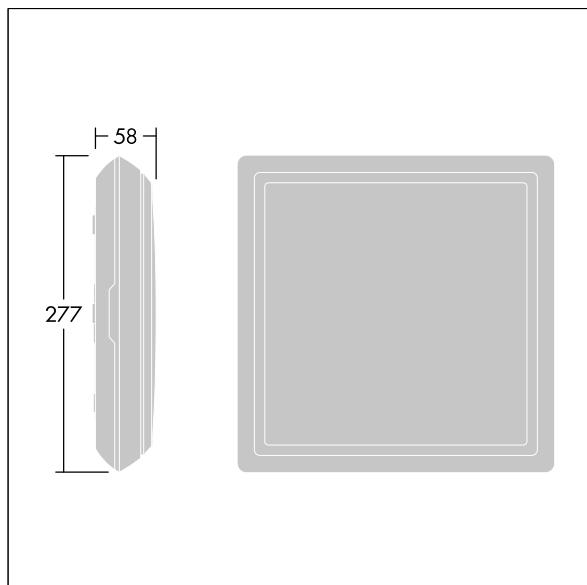
THORN

Voyager Square

A slim, square, surface mounted, LED safety sign luminaire. Luminaire for central emergency light supply, for single monitoring of the luminaire via Powerline in connection with the eBox System, settable emergency light level. NFC interface for addressing, configuration and maintenance via PROset Pen (article: 22170290) or PROset app, addressing also alternatively possible visually or via EZ-addressing. Power supply: 220-240 Vac ($\pm 10\%$), 50/60 Hz; 176-280 Vdc. Body: injection moulded polycarbonate, white (RAL 9016). Diffuser: opal polycarbonate, with glued, printed emergency exit direction arrow (right) pictogram according to ISO 7010. Uniform backlighting of pictogram, luminance $> 500 \text{ cd/m}^2$ in the white region and 200 cd/m^2 on average in mains mode (according to DIN 4844), 2 cd/m^2 minimum in emergency mode (according to EN 1838). Recognition distance according to EN 1838: 44m. Class II electrical, IP65, Impact strength: IK10. ambient temperature: -30°C to $+35^\circ\text{C}$. Suitable for direct mounting to wall. Loop-in, loop-out is possible for cables up to 2.5 mm^2 . BESA compatible. Food certificate (to be used in areas with fully packaged food). Luminaire wired with halogen free and silicone free leads. Luminaire with D symbol (for use in environments in which the accumulation of conductive dust on the luminaire can be expected).



TLG_VYSQ_F_PDB_R_ON.jpg



TLG_VYSQ_M_LD1.wmf

This product contains a light source of energy efficiency class C.

All values marked with an * are rated values. Thorn uses tried and tested components from leading suppliers, however there may be isolated instances of technology-related failures of individual LEDs during the rated product lifetime. International standards set the tolerance in initial flux and connected load at $\pm 10\%$. Unless stated otherwise, the values apply to an ambient temperature of 25°C .

Thorn Lighting is constantly developing and improving its products. The right is reserved to change specifications without prior notification or public announcement.
© Thorn Lighting

Voyager Square

96635074 VOY SQUARE 220 P MSW ECP WH SP1-E002-R

THORN