

Candle

96679079 CN 18L25 730 RSC CL2 W3 ANT

Candle

Slim lighting column with 18 LEDs driven at 250mA with Radial symmetrical comfort light distribution. Fixed output LED driver. Class II electrical, IP66, IK10. Base: die-cast aluminium (EN AC-44300). Finish: powder coated aluminium, texturized anthracite (close to RAL7043). Diffuser: UV stabilised clear polycarbonate. Pre-wired with 3m cable. Column to be ordered separately. Complete with 3000K LED.

Dimensions: Ø234 x 559 mm

Luminaire input power: 15 W

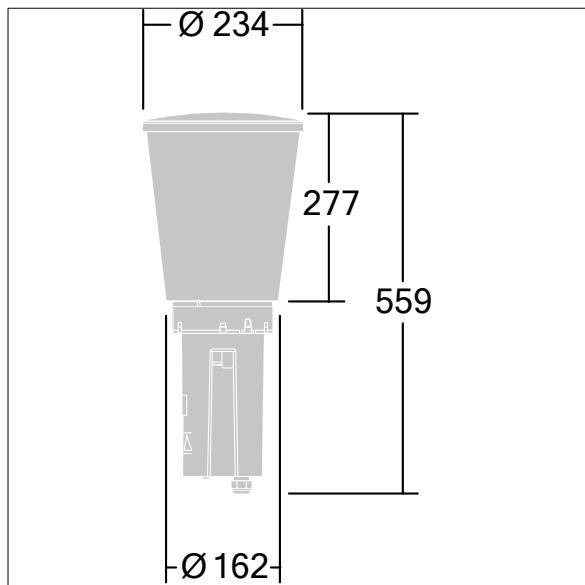
Weight: 4.84 kg

Scx: 0.06 m²

Luminaire efficacy: 104 lm/W



TLG_CNDL_F_2.jpg



TLG_CNDL_M_HEAD.wmf

This product contains a light source of energy efficiency class D.

Candle

96679079 CN 18L25 730 RSC CL2 W3 ANT

THORN