

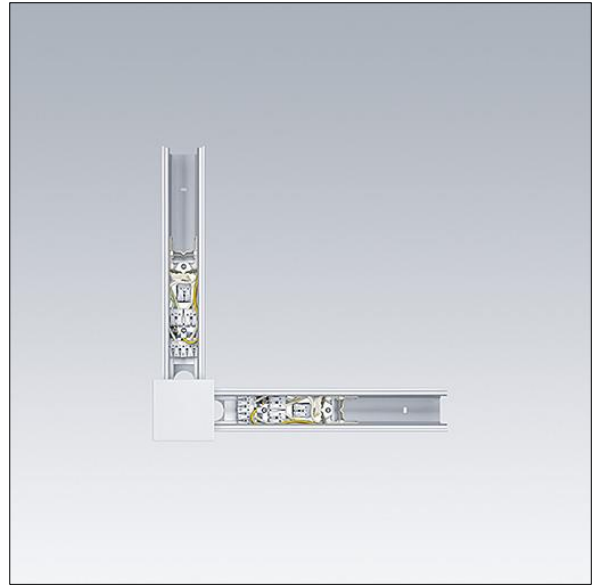
Contus

96635838 CONTUS T-VL1 WH

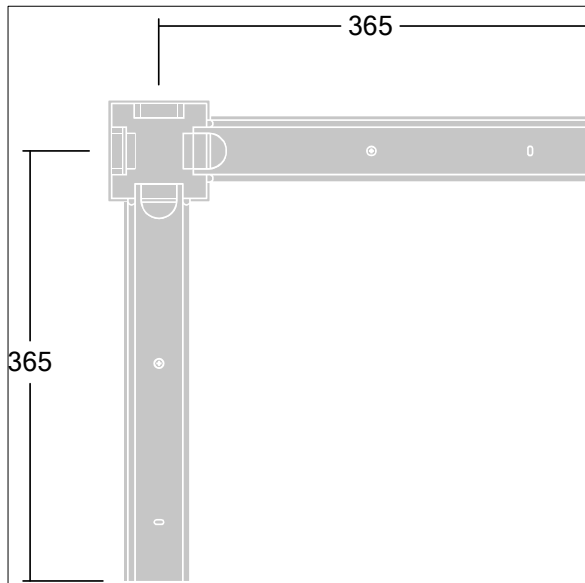
Contus

L shaped mechanical and electrical connector, white.
Features two female ends for mechanical connection and 2 groups of terminal blocks for electrical feed in, or feed out.

Weight: 1.35 kg



TLG_CONT_F_T_VL1.jpg



TL_CONTUS_M_L1_Node_Connector.wmf