

## Areaflood Pro 2

96635906 AFP2 S 48L50-740 A4 CL1 GY

### Areaflood Pro 2

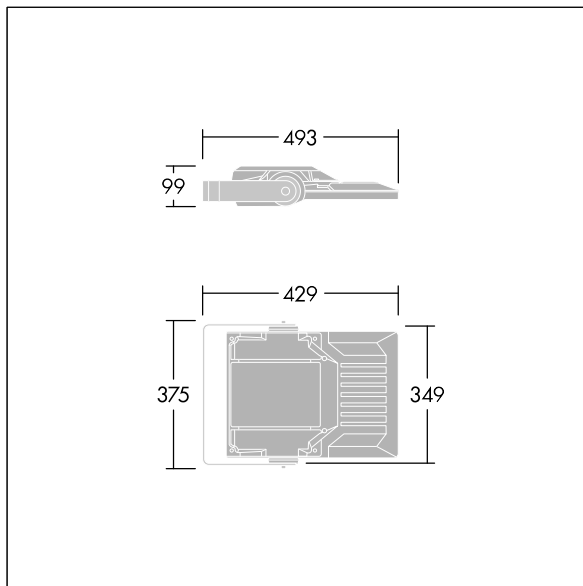
A compact, lightweight, general purpose LED area floodlight. With small body. LED converter driving 48 LEDs at 500mA with Asymmetrical 40° light distribution. IP66, IK08, Class I electrical. Body: die-cast aluminium (EN AC-44300), Light grey 150 sanded textured (close to RAL9006).. Enclosure: 4mm thick toughened glass. Reversible mounting stirrup supplied, optional spigot adaptors available separately for post top mounting. Complete with 4000K LED.

Integrated 6kV surge protection included as standard, with higher 10kV protection when selected (designated by 'SP' in the description).

Dimensions: 429 x 349 x 99 mm  
 Luminaire input power: 71 W  
 Luminaire luminous flux: 12065 lm  
 Luminaire efficacy: 170 lm/W  
 weight: 7.38 kg  
 Scx: 0.052 m<sup>2</sup>



TLG\_AFP2\_F\_S\_1.jpg



TLG\_AFP2\_M\_S.wmf

This product contains light sources of energy efficiency classes D, E.

# Areaflood Pro 2

96635906 AFP2 S 48L50-740 A4 CL1 GY

THORN